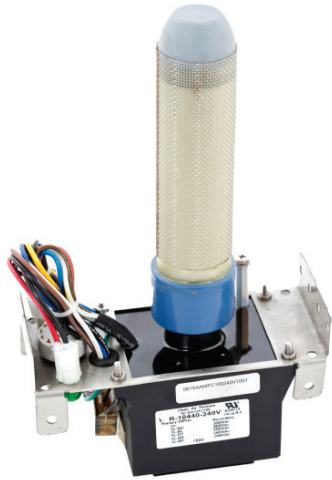


# PRODUCT SUBMITTAL

# FC-100

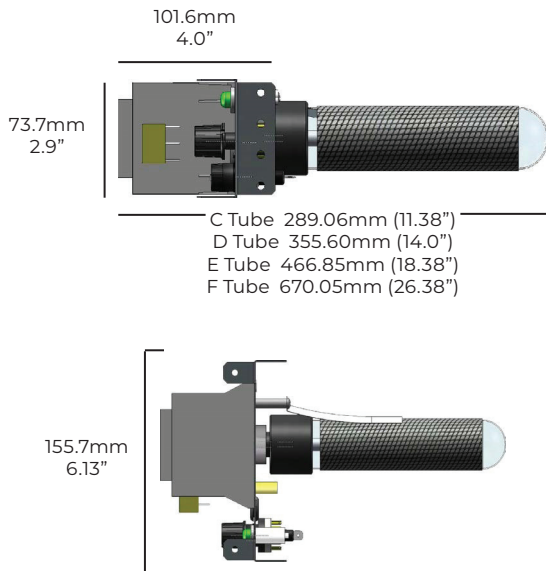


## APPLICATION

The AtmosAir FC-100 ionization system is intended to be mounted in the supply discharge in smaller air handling systems such as fan coils, heat pumps, RTU's, and other unitary type systems.

The system can be integrated on an OEM basis, or a retrofit package is also available. The unit will be calibrated at the factory per AtmosAir recommendations or the contractor will calibrate the ionization setting to attain adequate ion level readings in the space.

Figure 1



## SPECIFICATIONS

### General Product Information

Air Flow Rating	Up to 2,500 CFM
Pressure Drop	Minimal
Housing Material	22 Gauge Stainless Steel w/ Integral Universal Mounting Bracket
Weight	1.92 kg (4.25 lbs)
Max Operation Temp.	65.6°C (150°F)

### Electrical

Voltage	120 or 240 VAC
Frequency	50/60 Hz
Power Consumption	5 Watts
Current Draw	0.2 Amps (200 mA)
Fuse	1.25 Amp 120 VAC   1.0 Amp 240 VAC
Field Electrical Connection	Junction Box Integrated into AHU

### Ionization Tube

Material	Multi-Core Composite
Quantity	One (1)
Size	C (177.8mm) (7") D (243.8mm) (9.6") E (355.6mm) (14") F (558.8mm) (22")
Estimated Tube Life	17,600 Hours (Two Years)
Options	Air Switch, 6.35mm (0.25") Four Point Mount Bracket: Horizontal

### Approvals

CE and UKCA

Figure 2

Duct Size (mm / in)	Pressure Drop (Pa) for various CFM		
	250	500	1000
914.4mm x 914.4mm 36 x 36in	0	0	0
609.6mm x 609.6mm 24 x 24in	0	0	0
457.2mm x 457.2mm 18 x 18in	0	10	10
406.4mm x 406.4mm 16 x 16in	10	10	20
304.8mm x 304.8mm 12 x 12in	80	160	810